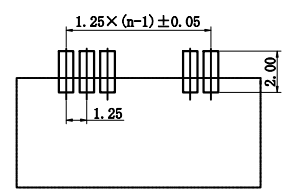
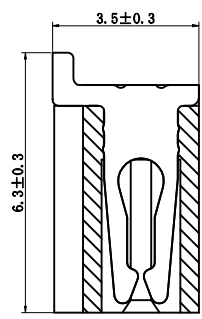
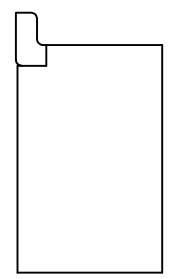
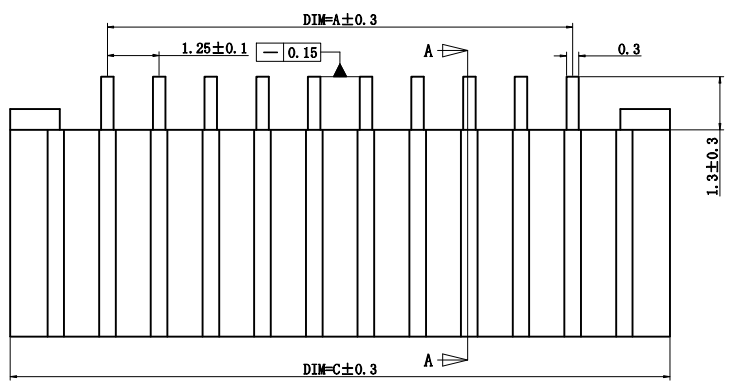
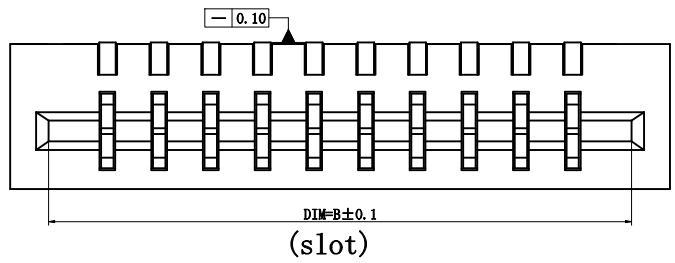


REV.	ECN NO.	LOCAS.	DESCRIPTION	DATE	DESIGN
A			NEW DRAWING		

RECOMMENDED P. C. B LAYOUT (COMPONENT SIDE)
(TOLERANCE=±0.05mm) WITHOUT LOCKING FUNCTION



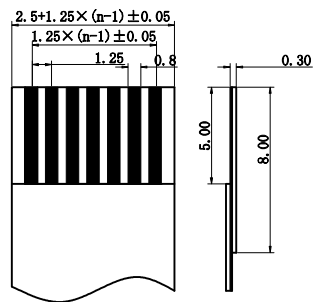
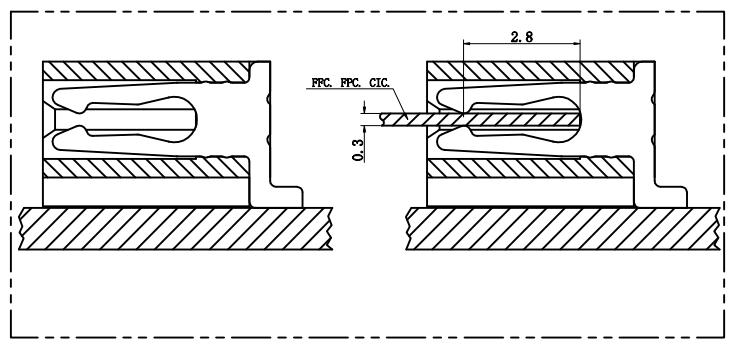
SECTION "A-A"



Electrical

Voltage:50 V AC(rms)/DC
 Current:0.5 A AC(rms)/DC
 Contact Resistance:40 mΩ max(initial)
 Dielectric Withstanding Voltage:200 V AC/rms
 Insulation Resistance:800 MΩ min
 Operating Temp:-40° C~+105° C

P数	DIM=A	DIM=B	DIM=C
004	3.75	6.35	8.45
005	5.00	7.60	9.70
006	6.25	8.85	10.95
007	7.50	10.10	12.20
008	8.75	11.35	13.45
009	10.00	12.60	14.70
010	11.25	13.85	15.95
011	12.50	15.10	17.20
012	13.75	16.35	18.45
013	15.00	17.60	19.70
014	16.25	18.85	20.95
015	17.50	20.10	22.20
016	18.75	21.35	23.45
017	20.00	22.60	24.70
018	21.25	23.85	25.95
019	22.50	25.10	27.20
020	23.75	26.35	28.45
021	25.00	27.60	29.70
022	26.25	28.85	30.95
023	27.50	30.10	32.20
024	28.75	31.35	33.45
025	30.00	32.60	34.70
026	31.25	33.85	35.95
027	32.50	35.10	37.20
028	33.75	36.35	38.45
029	35.00	37.60	39.70
030	36.25	38.85	40.95
031	37.50	40.10	42.20
032	38.75	41.35	43.45
033	40.00	42.60	44.70



DESIGN:	Xiping Huang	QWYCONN 深圳市启崮源电子有限公司 SHENZHEN QIWEIYUAN ELECTRONIC CO., LTD.	
CHECK:	Ke Tian	TITLE: 1.25双面接脚贴	
APPROVED:	Youquan Xu	PART NO. 1.25-B-NPWB-***	
DIM	TOL	DIM	TOL
X.	±0.25	X°	±3.0°
X.X	±0.20	X.X°	
X.XX	±0.15	X.XX°	
X.XXX		X.XXX°	
REV.	A	SCALE:	N/A
UNIT:	mm	SHEET:	1/1