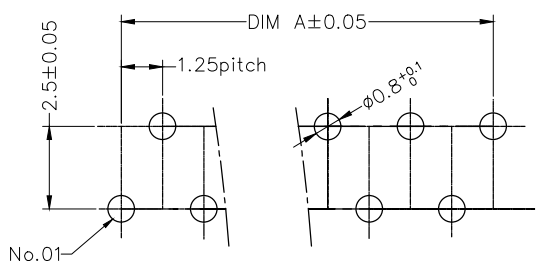
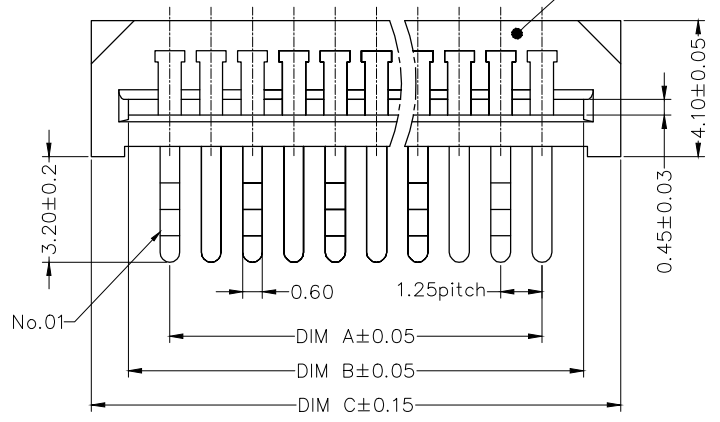
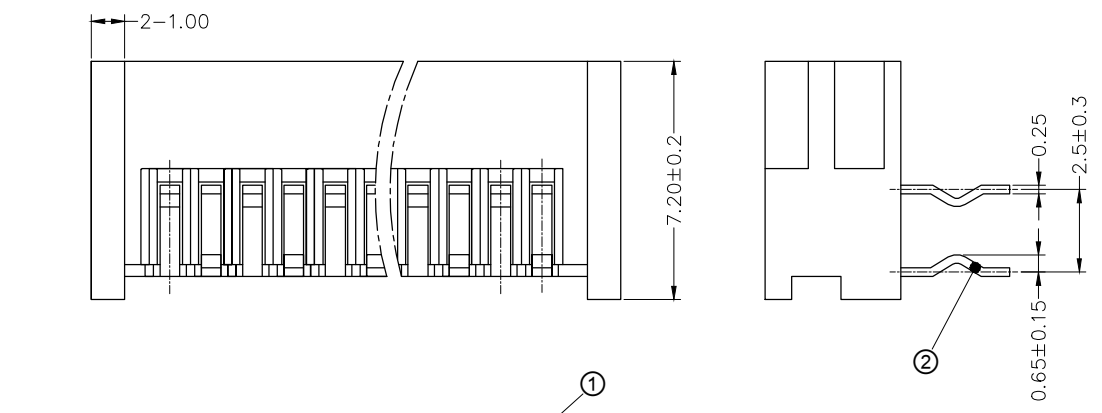
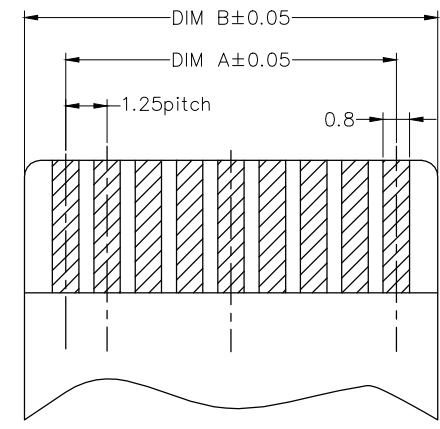


| PIN | DIM A | DIM B | DIM C |
|-----|-------|-------|-------|
| 4 | 3.75 | 6.25 | 8.50 |
| 5 | 5.00 | 7.50 | 9.75 |
| 6 | 6.25 | 8.75 | 11.00 |
| 7 | 7.50 | 10.00 | 12.25 |
| 8 | 8.75 | 11.25 | 13.50 |
| 9 | 10.00 | 12.50 | 14.75 |
| 10 | 11.25 | 13.75 | 16.00 |
| 11 | 12.50 | 15.00 | 17.25 |
| 12 | 13.75 | 16.25 | 18.50 |
| 13 | 15.00 | 17.50 | 19.75 |
| 14 | 16.25 | 18.75 | 21.00 |
| 15 | 17.50 | 20.00 | 22.25 |
| 16 | 18.75 | 21.25 | 23.50 |
| 17 | 20.00 | 22.50 | 24.75 |
| 18 | 21.25 | 23.75 | 26.00 |
| 19 | 22.50 | 25.00 | 27.25 |
| 20 | 23.75 | 26.25 | 28.50 |
| 21 | 25.00 | 27.50 | 29.75 |
| 22 | 26.25 | 28.75 | 31.00 |
| 23 | 27.50 | 30.00 | 32.25 |
| 24 | 28.75 | 31.25 | 33.50 |
| 25 | 30.00 | 32.50 | 34.75 |
| 26 | 31.25 | 33.75 | 36.00 |
| 27 | 32.50 | 35.00 | 37.25 |
| 28 | 33.75 | 36.25 | 38.50 |
| 29 | 35.00 | 37.50 | 39.75 |
| 30 | 36.25 | 38.75 | 41.00 |
| 31 | 37.50 | 40.00 | 42.25 |
| 32 | 38.75 | 41.25 | 43.50 |
| 33 | 40.00 | 42.50 | 44.75 |
| 34 | 41.25 | 43.75 | 46.00 |
| 35 | 42.50 | 45.00 | 47.25 |

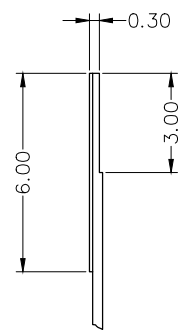
额定电流 Current rating : 1.0A
 额定电压 Voltage rating : 200V
 耐电压 Withstand coltage : 500V AC/minute
 接触电阻 Contact resistance : ≤30mΩ
 绝缘电阻 Insulation resistance : 500MΩ
 工作温度 Working temperature : -40°C~+85°C
 塑胶 Plastic : PA46
 端子 Terminal: Phosphor bronze C5191



PCB 寸法
PCB Layout



适用FFC寸法
Applicable FFC



| | | | | | | |
|----|-------------------|--------------------|--------------------------------|-------|-------|---------------|
| 2 | 1.25mm间距B型单面接卧式弯针 | T117B-410000S-AO1 | 磷青铜C5191R-H; T=0.25±0.01mm. | 镀锡 | / | 正反向切 PIN区分 |
| 1 | 1.25mm间距B型-基座 | B117B-410**000-P*1 | SEE TABLE | 米色 | 1 PCS | |
| 序号 | 品名 | 料号 | 材料规格 | 电镀/颜色 | 数量 | 备注 |

QWYCONN®
 深圳市启威源电子有限公司
 SHENZHEN QIWEIYUAN ELECTRONIC CO.,LTD.

| | | | | | |
|-------------------|------------|------------|----------|-------------------|------------------|
| GENERAL TOLERANCE | .X ±0.5 | X° ±2° | UNIT: mm | DRAWN: zhilong | DATE: 2020/10/10 |
| | .XX ±0.2 | .X° ±1° | | | |
| | .XXX ±0.05 | .XX° ±0.5° | | | |
| SCALE: 1:1 | CHECK: | DATE: | SIZE: A4 | APPROVE: xingyong | DATE: |
| ANGLE PROJECTION | | | | | |

ITEM: 1.25mm间距A型卧式插板弯针上接正向
 PART NO: 1.25-A-nPW

TITLE: 工程图
 DRAWING NUMBER: 202000151