

RoHS

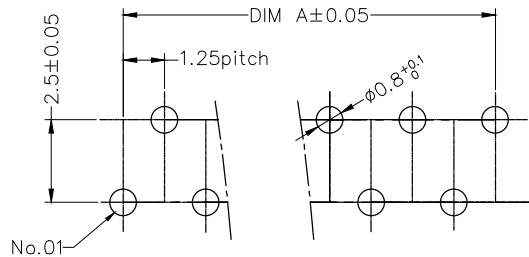
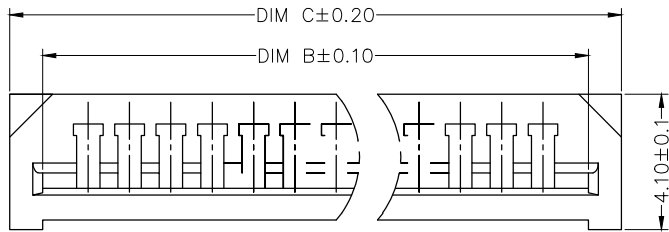
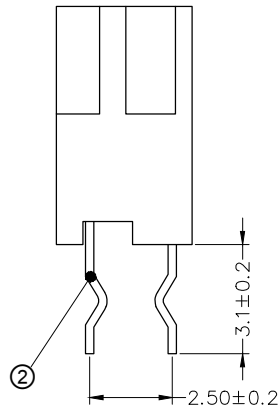
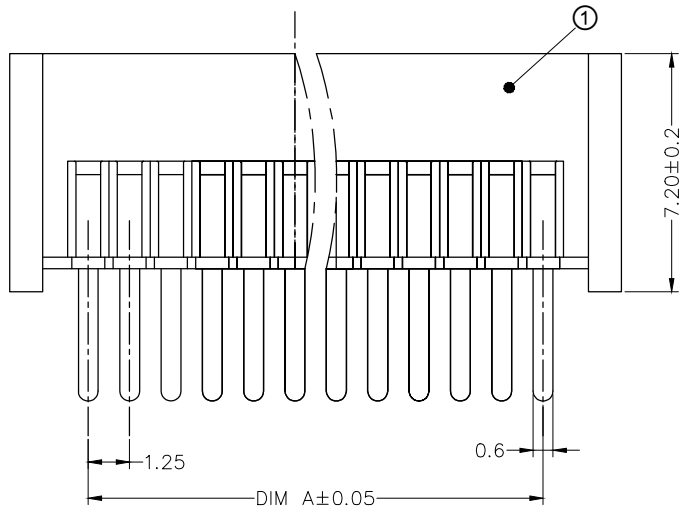
EDITION

SUMMARY OF CHANGES

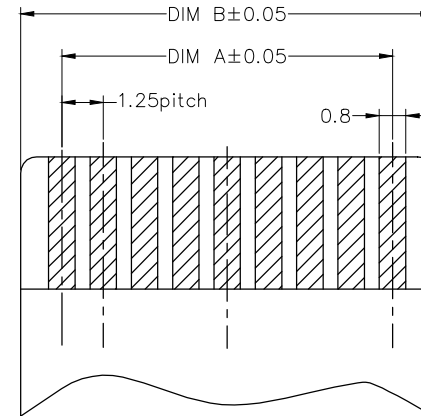
ISSUE DATE

PIN	DIM A	DIM B	DIM C
4	3.75	6.25	8.50
5	5.00	7.50	9.75
6	6.25	8.75	11.00
7	7.50	10.00	12.25
8	8.75	11.25	13.50
9	10.00	12.50	14.75
10	11.25	13.75	16.00
11	12.50	15.00	17.25
12	13.75	16.25	18.50
13	15.00	17.50	19.75
14	16.25	18.75	21.00
15	17.50	20.00	22.25
16	18.75	21.25	23.50
17	20.00	22.50	24.75
18	21.25	23.75	26.00
19	22.50	25.00	27.25
20	23.75	26.25	28.50
21	25.00	27.50	29.75
22	26.25	28.75	31.00
23	27.50	30.00	32.25
24	28.75	31.25	33.50
25	30.00	32.50	34.75
26	31.25	33.75	36.00
27	32.50	35.00	37.25
28	33.75	36.25	38.50
29	35.00	37.50	39.75
30	36.25	38.75	41.00
31	37.50	40.00	42.25
32	38.75	41.25	43.50
33	40.00	42.50	44.75
34	41.25	43.75	46.00
35	42.50	45.00	47.25

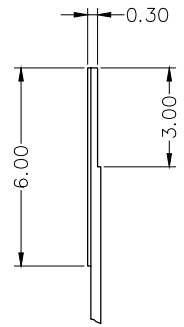
额定电流 Current rating : 1.0A
 额定电压 Voltage rating : 200V
 耐电压 Withstand coltage : 500V AC/minute
 接触电阻 Contact resistance : $\leq 30m\Omega$
 绝缘电阻 Insulation resistance : 500M Ω
 工作温度 Working temperature : -40°C~+85°C
 塑胶 Plastic : PA46
 端子 Terminal : Phosphor bronze C5191



PCB 寸法
PCB Layout



适用FFC寸法
Applicable FFC



QWYCONN®

深圳市启威源电子有限公司
SHENZHEN QIWEIYUAN ELECTRONIC CO.,LTD.

GENERAL TOLERANCE	
.X ±0.5	X° ±2°
.XX ±0.2	.X° ±1°
.XXX ±0.05	.XX° ±0.5°
ANGLE PROJECTION	

UNIT: mm
SCALE: 1:1
SIZE: A4

DRAWN: zhilong
CHECK:
APPROVE: xingyong

DATE: 2020/10/10
DATE:
DATE:

ITEM: 1.25mm间距A型立式插板正向
PART NO: 1.25-A-nP

TITLE: 工程图
DRAWING NUMBER: 202000152