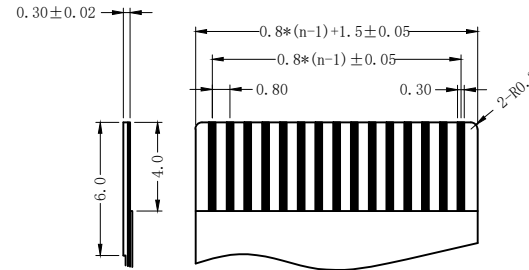
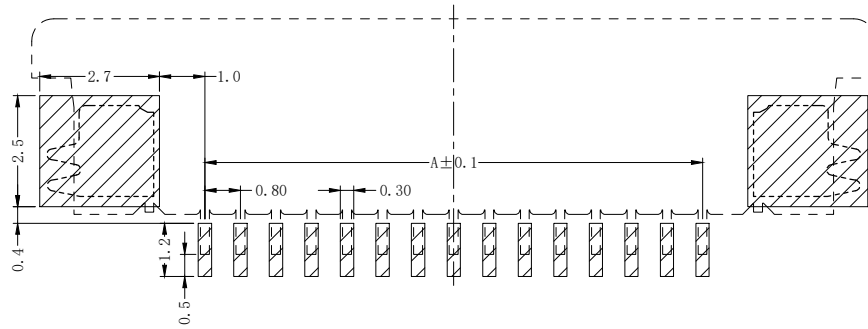
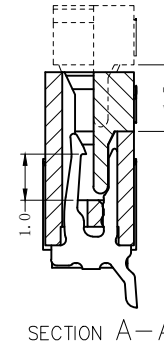
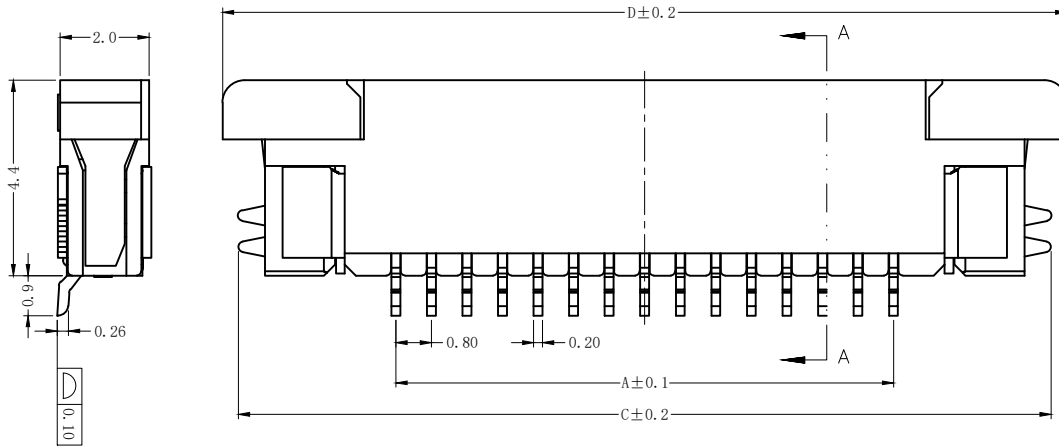
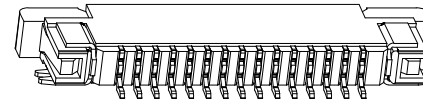
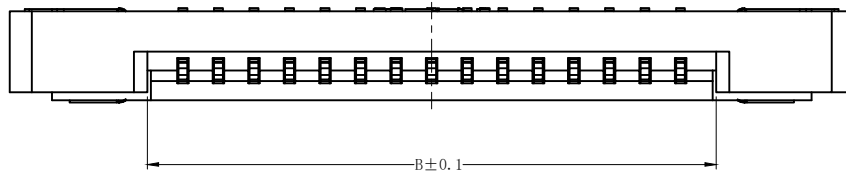


REV.	ECN NO.	LOCAS.	DESCRIPTION	DATE	DESIGN
A			NEW DRAWING	22.12.01	Jenply



孔位	A	B	C	D
4	2.4	4	9.6	10.3
5	3.2	4.8	10.4	11.1
6	4	5.6	11.2	11.9
7	4.8	6.4	12	12.7
8	5.6	7.2	12.8	13.5
9	6.4	8	13.6	14.3
10	7.2	8.8	14.4	15.1
11	8	9.6	15.2	15.9
12	8.8	10.4	16	16.7
13	9.6	11.2	16.8	17.5
14	10.4	12	17.6	18.3
15	11.2	12.8	18.4	19.1
16	12	13.6	19.2	19.9
17	12.8	14.4	20	20.7
18	13.6	15.2	20.8	21.5
19	14.4	16	21.6	22.3
20	15.2	16.8	22.4	23.1
21	16	17.6	23.2	23.9
22	16.8	18.4	24	24.7
23	17.6	19.2	24.8	25.5
24	18.4	20	25.6	26.3
25	19.2	20.8	26.4	27.1
26	20	21.6	27.2	27.9
27	20.8	22.4	28	28.7
28	21.6	23.2	28.8	29.5
29	22.4	24	29.6	30.3
30	23.2	24.8	30.4	31.1
31	24	25.6	31.2	31.9
32	24.8	26.4	32	32.7
33	25.6	27.2	32.8	33.5
34	26.4	28	33.6	34.3
35	27.2	28.8	34.4	35.1

技术要求 (Technical Index):

PC BOARD LAYOUT

1. 材质与表面处理 (Material And Finish):  
基座 (Housing) and 盖子 (Cover): LCP UL94V-0 Nature Or Black;  
端子 (Terminal): Phosphor Copper Au/Sn Plated;  
焊片 (Solder): Copper Alloy Au/Sn Plated;
2. 工作温度 (Temperature range): -25° C ~ +85° C.
3. 额定电压 (Rated voltage): 50V, AC/DC.
4. 额定电流: 0.4A, AC/DC.
5. 接触电阻 (Contact resistance): ≤ 20mΩ.
6. 绝缘电阻 (Insulation resistance): ≥ 500MΩ.
7. 耐电压 (Withstanding Voltage): 200V AC/minute.

DESIGN:	Jenply			<b>QWYCONN®</b> 深圳市启崑源电子有限公司 SHENZHEN QIWEIYUAN ELECTRONIC CO., LTD.
CHECK:	Ke Tian			
APPROVED:	Youquan Xu			
DIM	TOL	DIM	TOL	TITLE: 0.8mm FPC (B 型) 半包上接 (H=2.0)
X.	±0.25	X°	±3.0°	PART NO. 0.8K-BS-nPWB-***
X.X	±0.20	X.X°		REV. A
X.XX	±0.15	X.XX°		SCALE: N/A
X.XXX		X.XXX°		UNIT: mm
				SHEET: 1/1