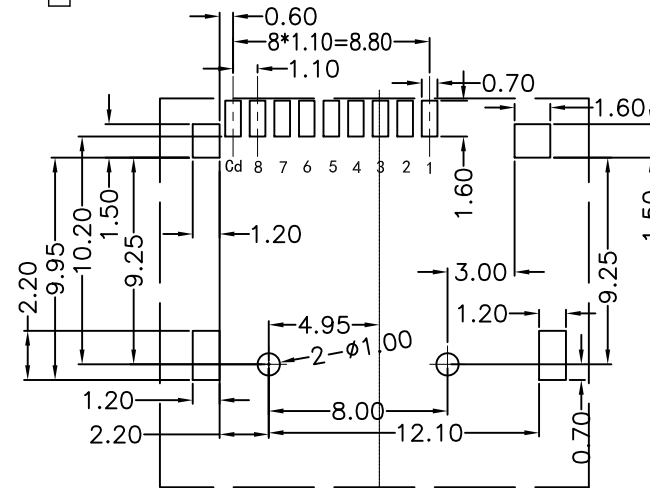
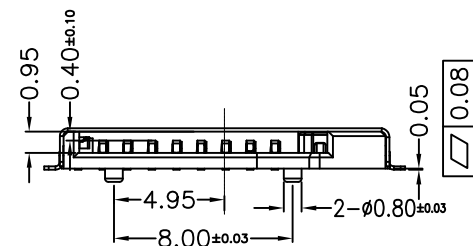
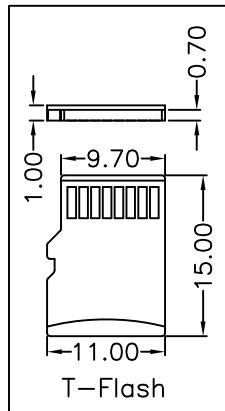


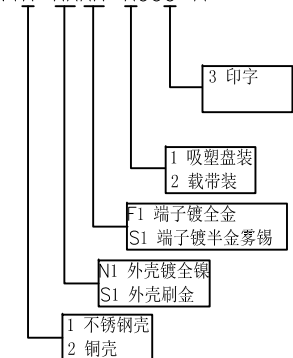
NOTES:

- 1.MATERIAL:
HOUSING: HIGH TEMPERATURE THERMOPLASTIC UL94V_0,COLOR:BLACK.
CONTACT: COPPER ALLOYS.
COVER: COPPER ALLOYS OR STEEL.
- 2.PLATING:
UNDERPLATE: NICKEL.
CONTACT AREA: GOLD OVER NICKEL.
SOLDER AREA: TIN OVER NICKEL.
- 3.MULTIMEDIA CARD COMPATIBLE



RECOMMENDED P.C.B HOLE LAYOUT
COMPONENT SIDE VIEW(TOLERANCE: +/-0.05)

订购须知:TFW1X-XXXX-X000-A



PIN NO.	NAME	YTYPE	DESCRIPTION
1	DAT2	I/O/PP	DATE LINE(BIT2)
2	CD/DAT3	I/O/PP	CARD DETECT DATE LIN(BIT3)
3	CMD	PP	COMMAND RESPONSE
4	VDD	S	SUPPLY VOLTAGE
5	CLX	I	CLOCK
6	VSS	S	SUPPLY VOLTAGE GROUND
7	DATO	I/O/PP	DATE LINE(BITO)
8	DAT1	I/O/PP	DATE LINE(DIT1)
9	CD	CD	CD

UNITS mm	QWYCONN ® 深圳市启崴源电子有限公司 SHENZHEN QIWEIYUAN ELECTRONIC CO.,LTD.		
MAT'L	PART NO.(INTENDED USE) TFW1X-XXXX-X000-A	TITLE: T-FLASH 外焊 PUSH	
FINISH	APPD:	DWG NO.: FP-090012	
Q'TY PCS	CHKD: DR: HU 2016.09.28	SCALE 1/1	SHEET 1/1
		REV. A	