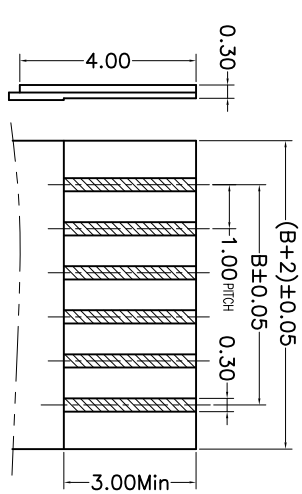
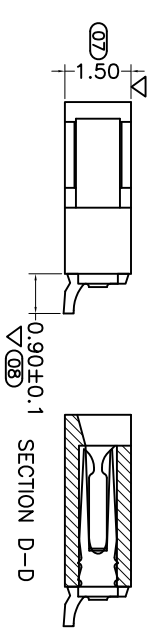
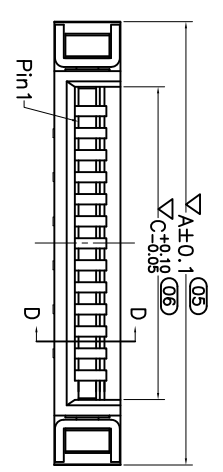
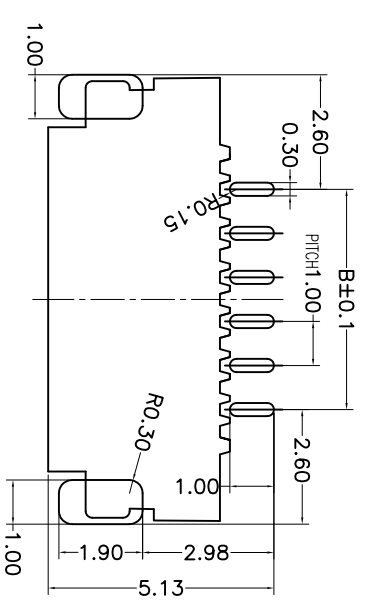


NOTE:
 1. MATERIAL
 HOUSING: LCP
 CONTACTS: BRASS T=0.20
 LEG: BRASS T=0.20
 2. PLATING:
 CONTACTS: TIN OVER NICKEL
 LEG: TIN OVER NICKEL
 3. MARK "∇" DIMENSION IS IMPORTANT DIMENSION



Applicable FPC



Recommended P.C.B Layout

PART NO.	Dimension		
	A	B	C
4P	8.03	3.00	5.07
5P	9.03	4.00	6.07
6P	10.03	5.00	7.07
7P	11.03	6.00	8.07
8P	12.03	7.00	9.07
9P	13.03	8.00	10.07
10P	14.03	9.00	11.07
11P	15.03	10.00	12.07
12P	16.03	11.00	13.07
13P	17.03	12.00	14.07
14P	18.03	13.00	15.07
15P	19.03	14.00	16.07
16P	20.03	15.00	17.07
17P	21.03	16.00	18.07
18P	22.03	17.00	19.07
19P	23.03	18.00	20.07
20P	24.03	19.00	21.07
21P	25.03	20.00	22.07
22P	26.03	21.00	23.07
23P	27.03	22.00	24.07
24P	28.03	23.00	25.07
25P	29.03	24.00	26.07
26P	30.03	25.00	27.07
27P	31.03	26.00	28.07
28P	32.03	27.00	29.07
29P	33.03	28.00	30.07
30P	34.03	29.00	31.07

UNITS mm	MATL	FINISH	QTY	PCS
X± 0.3	X± 2'	X± 5'		
X± 0.25	X± 2'	X± 2'		
XXX± 0.20	XXX± 1'	XXX± 1'		
XXX± 0.10	XXX± 0.5'	XXX± 0.5'		

PART NO.(INTENDED USE)
1015-nR-SN

TITLE:
1.0 双面接卧贴 H1.5

APPD:
CHKD:
DR: HU 2016.09.28

DWG NO.: 1015-nR-SN

SCALE: 1/1

SHEET: 1/1

REV: A

QWYCONN 深圳市启威源电子有限公司
 SHENZHEN QIWEIYUAN ELECTRONIC CO., LTD.