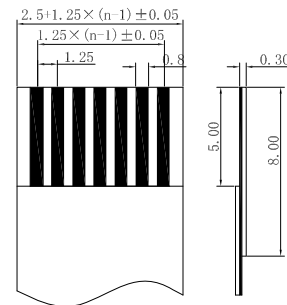
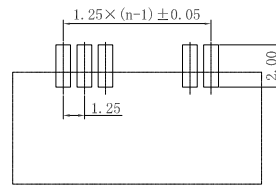


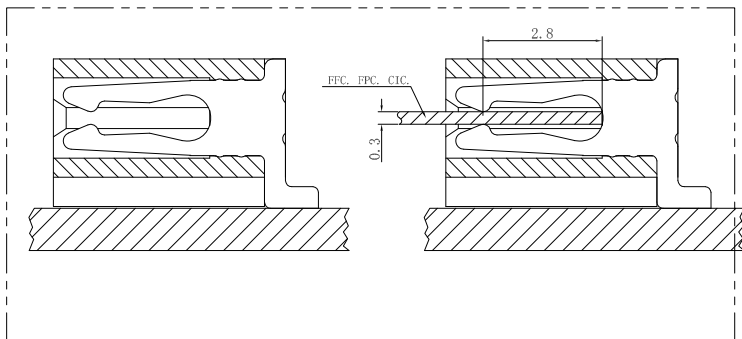
SPECIFICATIONS

Poles: 4 to 33
 Voltage rating (MAX): 50V DC/AV (rms)
 Current rating: 0.5A AC/DC
 Working Temperature: -20° C to +85° C
 Withstand voltage: 500VAC/minute
 Insulation resistance: ≥800MΩ
 Contact resistance: ≤0.04Ω
 Single Contact

HOUSING
 material: LCP, UL94V-0



P数	DIM=A	DIM=B	DIM=C
4	3.750	6.350	8.450
5	5.000	7.600	9.700
6	6.250	8.850	10.950
7	7.500	10.100	12.200
8	8.750	11.350	13.450
9	10.000	12.600	14.700
10	11.250	13.850	15.950
11	12.500	15.100	17.200
12	13.750	16.350	18.450
13	15.000	17.600	19.700
14	16.250	18.850	20.950
15	17.500	20.100	22.200
16	18.750	21.350	23.450
17	20.000	22.600	24.700
18	21.250	23.850	25.950
19	22.500	25.100	27.200
20	23.750	26.350	28.450
21	25.000	27.600	29.700
22	26.250	28.850	30.950
23	27.500	30.100	32.200
24	28.750	31.350	33.450
25	30.000	32.600	34.700
26	31.250	33.850	35.950
27	32.500	35.100	37.200
28	33.750	36.350	38.450
29	35.000	37.600	39.700
30	36.250	38.850	40.950
31	37.500	40.100	42.200
32	38.750	41.350	43.450
33	40.000	42.600	44.700



PC BOARD LAYOUT

UNITS
mm

MAT'L

FINISH

Q'TY

PCS

QWYCONN® 深圳市启威源电子有限公司
 SHENZHEN QIWEIYUAN ELECTRONIC CO., LTD.

PART NO.(INTENDED USE)

1.25-B-nPWB

TITLE:

1.25双面接卧贴FPC连接器

APPD:

DWG NO.:

1.25-B-nPWB

CHKD:

DR: HU 2016.09.28



SCALE
1/1

SHEET
1/1

REV.
A

X.± 0.3	X°± 5°
.X± 0.25	.X°± 2°
.XX± 0.20	.XX°± 1°
.XXX± 0.10	.XXX°± 0.5°