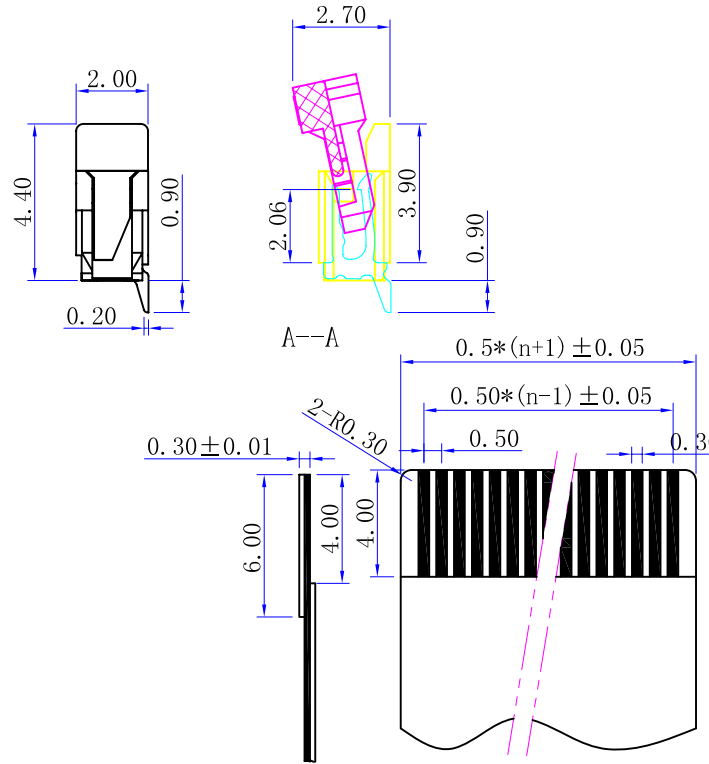
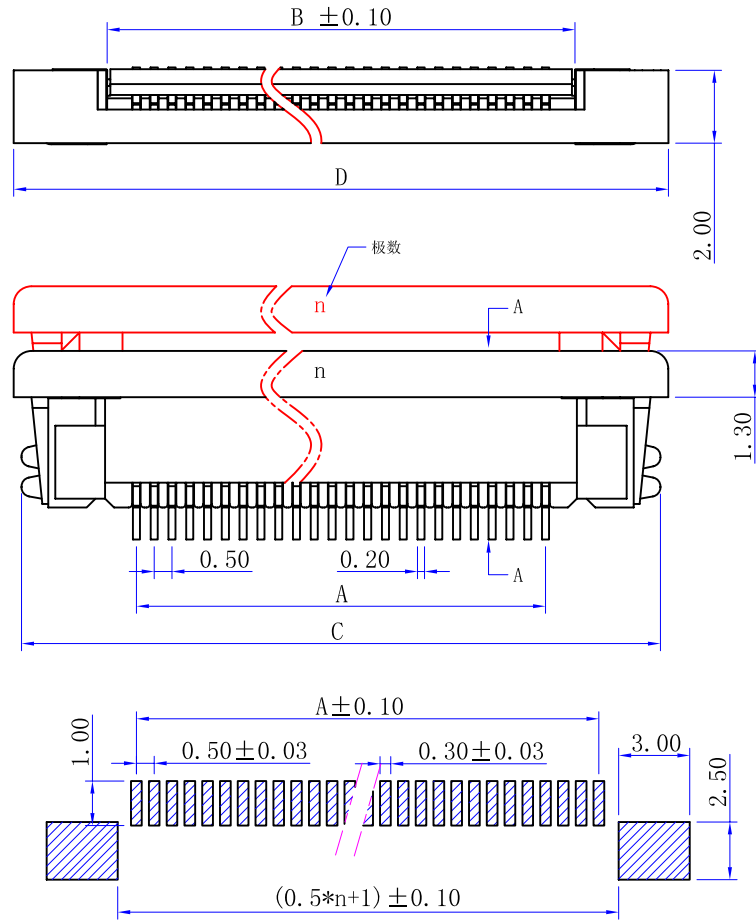


PITCH 0.5mm FPC CONNECTOR SMT TYPE

性能:

额定电流: 0.5A
 额定电压: 50V
 耐电压: 500V
 接触电阻: $\leq 20m\Omega$
 绝缘电阻: 500M Ω
 工作温度: $-20^{\circ}C \sim +85^{\circ}C$

塑件 (材质): LCP, UL94V-0
 锁扣 (材质): LCP, UL94V-0
 插簧 (材质): 磷青铜, 镀锡/镀金
 焊片 (材质): 磷青铜, 镀锡/镀金



适用扁平电缆

孔位	A	B	C	D
4	1.50	2.60	8.00	8.70
5	2.00	3.10	8.50	9.20
6	2.50	3.60	9.00	9.70
7	3.00	4.10	9.50	10.20
8	3.50	4.60	10.00	10.70
9	4.00	5.10	10.50	11.20
10	4.50	5.60	11.00	11.70
11	5.00	6.10	11.50	12.20
12	5.50	6.60	12.00	12.70
13	6.00	7.10	12.50	13.20
14	6.50	7.60	13.00	13.70
15	7.00	8.10	13.50	14.20
16	7.50	8.60	14.00	14.70
17	8.00	9.10	14.50	15.20
18	8.50	9.60	15.00	15.70
19	9.00	10.10	15.50	16.20
20	9.50	10.60	16.00	16.70
21	10.00	11.10	16.50	17.20
22	10.50	11.60	17.00	17.70
23	11.00	12.10	17.50	18.20
24	11.50	12.60	18.00	18.70
25	12.00	13.10	18.50	19.20
26	12.50	13.60	19.00	19.70
27	13.00	14.10	19.50	20.20
28	13.50	14.60	20.00	20.70
29	14.00	15.10	20.50	21.20
30	14.50	15.60	21.00	21.70
31	15.00	16.10	21.50	22.20
32	15.50	16.60	22.00	22.70
33	16.00	17.10	22.50	23.20
34	16.50	17.60	23.00	23.70
35	17.00	18.10	23.50	24.20
36	17.50	18.60	24.00	24.70
37	18.00	19.10	24.50	25.20
38	18.50	19.60	25.00	25.70
39	19.00	20.10	25.50	26.20
40	19.50	20.60	26.00	26.70
41	20.00	21.10	26.50	27.20
42	20.50	21.60	27.00	27.70
43	21.00	22.10	27.50	28.20
44	21.50	22.60	28.00	28.70
45	22.00	23.10	28.50	29.20
46	22.50	23.60	29.00	29.70
47	23.00	24.10	29.50	30.20
48	23.50	24.60	30.00	30.70
49	24.00	25.10	30.50	31.20
50	24.50	25.60	31.00	31.70
51	25.00	26.10	31.50	32.20
52	25.50	26.60	32.00	32.70
53	26.00	27.10	32.50	33.20
54	26.50	27.60	33.00	33.70
55	27.00	28.10	33.50	34.20
56	27.50	28.60	34.00	34.70
57	28.00	29.10	34.50	35.20
58	28.50	29.60	35.00	35.70
59	29.00	30.10	35.50	36.20
60	29.50	30.60	36.00	36.70

UNITS mm	QWYCONN 深圳市启威源电子有限公司 SHENZHEN QIWEIYUAN ELECTRONIC CO., LTD.						
MAT'L							
FINISH	PART NO.(INTENDED USE) 0.5K-BX-nPWB						
Q'TY	TITLE: 0.5mm FPC (B 型) 下接						
DR: HU 2016.10.05	APPD: CHKD: DWG NO.:						
<table border="1"> <tr> <td>SCALE</td> <td>SHEET</td> <td>REV.</td> </tr> <tr> <td>1/1</td> <td>1/1</td> <td>A</td> </tr> </table>	SCALE	SHEET	REV.	1/1	1/1	A	
SCALE	SHEET	REV.					
1/1	1/1	A					

X.± 0.3	X°± 5°
.X± 0.25	.X°± 2°
.XX± 0.20	.XX°± 1°
.XXX± 0.10	.XXX°± 0.5°

PCS