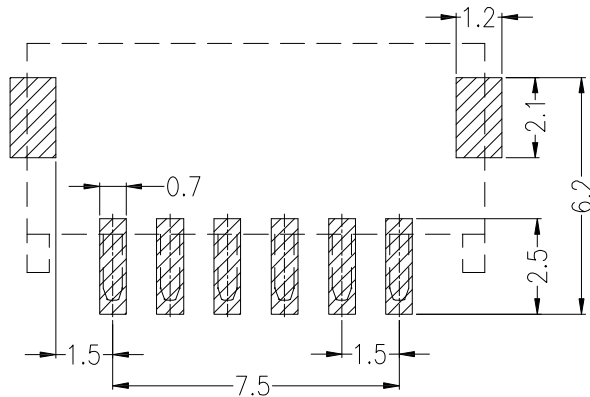


Circuits	Dimensions (mm)		
	A	B	C
02	1.50	3.60	6.00
03	3.00	5.10	7.50
04	4.50	6.60	9.00
05	6.00	8.10	10.50
06	7.50	9.60	12.00
07	9.00	11.10	13.50
08	10.50	12.60	15.00
09	12.00	14.10	16.50
10	13.50	15.60	18.00
11	15.00	17.10	19.50
12	16.50	18.60	21.00
13	18.00	20.10	22.50
14	19.50	21.60	24.00
15	21.00	23.10	25.50
16	22.50	24.60	27.00

主要技术参数 Main Specifications

- 线数 (Poles): 02 to 16
- 接触电阻 (Contact resistance): $\leq 20m\Omega$
- 绝缘电阻 (Insulation resistance): $\geq 500M\Omega$
- 额定电压 (Rated voltage): 125V AC DC
- 额定电流 (Rated current): 1.0A AC DC
- 耐电压 (Withstand Voltage): 500V AC/minute
- 温度范围 (Temperature Range): $-25^{\circ}C \sim +105^{\circ}C$



**SUGGESTED PCB LAYOUT
(COMPONENT SIDE)**

NO.	DESCRIPTION	QTY	MATERIAL	PLATING/COLOR
A	Insulator	1	LCP (UL94V-0)	Beige
B	Contacts	2~16	Brass	Tin-plated
C	SolderTab	2	PhosphorBronze	Tin-plated

UNITS mm	QWYCONN ® 深圳市启崴源电子有限公司 SHENZHEN QIWEIYUAN ELECTRONIC CO., LTD.			
MAT'L	PART NO.(INTENDED USE) ZH1.5-nAWB	TITLE: ZH1.5卧贴针座		
FINISH	APPD:	DWG NO.: ZH1.5-nAWB		
.X± 0.3	.X° ± 5'	Q'TY PCS	DR: HU 2016.09.28	
.X± 0.25	.X° ± 2'			
.XX± 0.20	.XX° ± 1'			
.XXX± 0.10	.XXX° ± 0.5'			
		SCALE	SHEET	REV.
		1/1	1/1	A