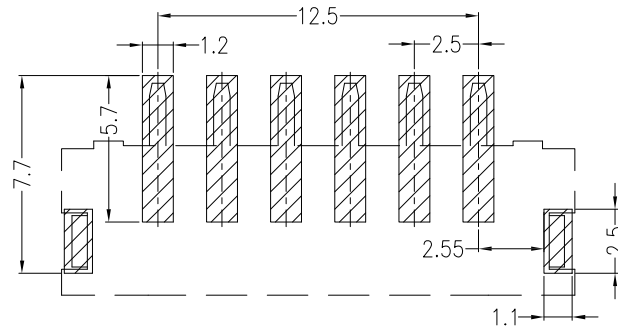
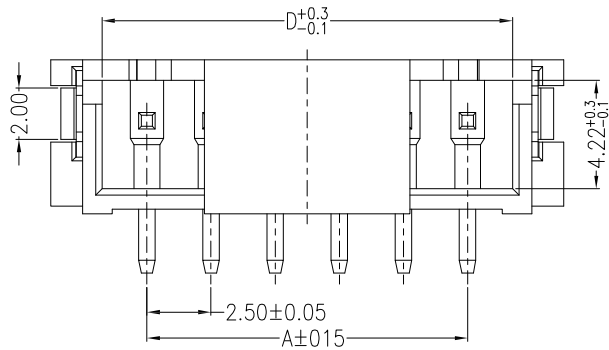
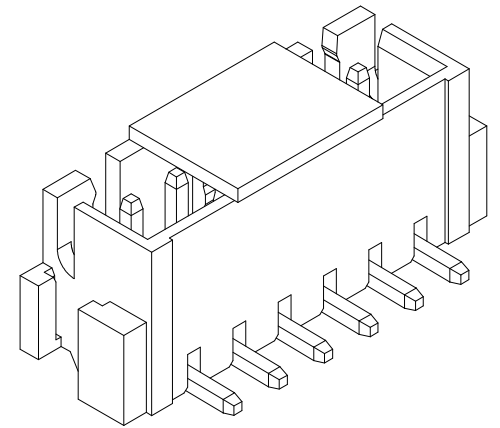


Assembly Layout



SUGGESTED PCB LAYOUT

主要技术参数 Main Specifications

- 线数 (Poles): 02 to 16
- 接触电阻 (Contact resistance): $\leq 20m\Omega$
- 绝缘电阻 (Insulation resistance): $\geq 1000M\Omega$
- 额定电压 (Rated voltage): 250V AC DC
- 额定电流 (Rated current): 3.0A AC DC
- 耐电压 (Withstand Voltage): 1000V AC/minute
- 温度范围 (Temperature Range): $-25^{\circ}C \sim +105^{\circ}C$

Circuit	Dimensions (mm)				Circuit	Dimensions (mm)			
	A	B	C	D		A	B	C	D
02	2.50	7.50	10.00	6.00	10	22.50	27.50	30.00	26.00
03	5.00	10.00	12.50	8.50	11	25.00	30.00	32.50	28.50
04	7.50	12.50	15.00	11.00	12	27.50	32.50	35.00	31.00
05	10.00	15.00	17.50	13.50	13	30.00	35.00	37.50	33.50
06	12.50	17.50	20.00	16.00	14	32.50	37.50	40.00	36.00
07	15.00	20.00	22.50	18.50	15	35.00	40.00	42.50	38.50
08	17.50	22.50	25.00	21.00	16	37.50	42.50	45.00	41.00
09	20.00	25.00	27.50	23.50					

NO.	DESCRIPTION	QTY	MATERIAL	PLATING/COLOR
A	Insulator	1	LCP(UL94V-0)	Beige
B	Contacts	2~16	Brass	Tin-plated
C	SolderTab	2	Brass	Tin-plated

UNITS mm	QWYCONN 深圳市启崴源电子有限公司 SHENZHEN QIWEIYUAN ELECTRONIC CO., LTD.		
MAT'L	PART NO.(INTENDED USE) XH2.54-2AB	TITLE: XH2.54立贴针座	
FINISH	APPD:	DWG NO.: XH2.54-2AB	
Q'TY PCS	CHKD:	DR: HU 2016.09.28	SCALE 1/1
			SHEET 1/1
			REV. A