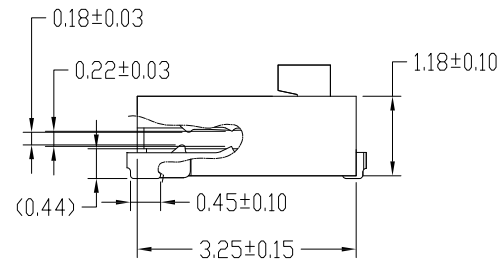
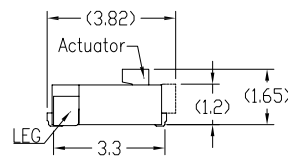
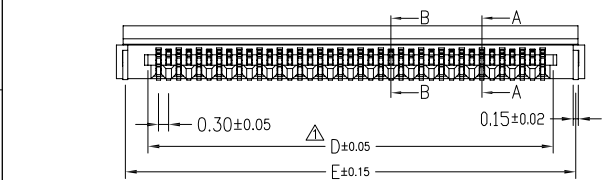
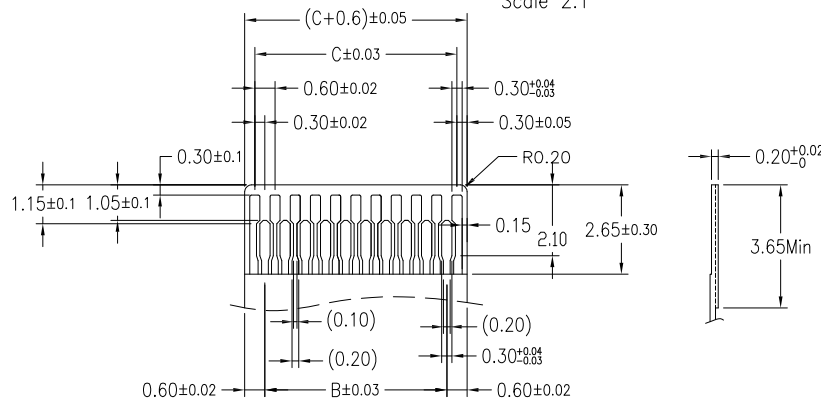


NOTES:

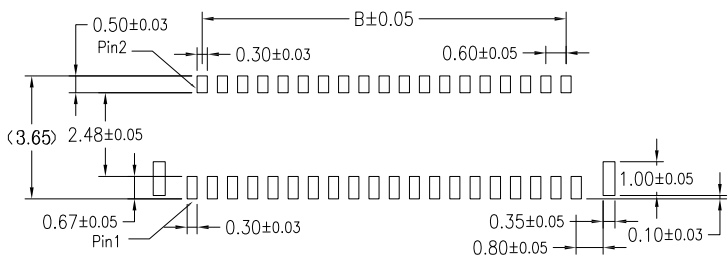
- HUOSINGT:LCP HIGH-TEMP THERMOPLASTIC UL94V-0  
COLOR:BEIGE
- ACTUATOR:LCP HIGH-TEMP THERMOPLASTIC UL94V-0  
COLOR:BLACK
- TERMINAL:COPPER ALLOOY  
PLATING:GOLD FLASH OR MATTE-TIN OR TIN (LEAD FREE)
- FITTING NAIL:COPPER ALLOOY  
PLATING:MATTE-TIN OR TIN (LEAD FREE)



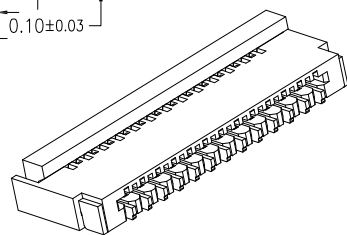
No. of Contacts	Dimension				
	A	B	C	D	E
13	6.10	3.00	3.60	4.23	5.57
15	6.70	3.60	4.20	4.83	6.17
17	7.30	4.20	4.80	5.43	6.77
19	7.90	4.80	5.40	6.03	7.37
21	8.50	5.40	6.00	6.63	7.97
23	9.10	6.00	6.60	7.23	8.57
25	9.70	6.60	7.20	7.83	9.17
27	10.30	7.20	7.80	8.43	9.77
29	10.90	7.80	8.40	9.03	10.37
31	11.50	8.40	9.00	9.63	10.97
33	12.10	9.00	9.60	10.23	11.57
35	12.70	9.60	10.20	10.83	12.17
37	13.30	10.20	10.80	11.43	12.77
39	13.90	10.80	11.40	12.03	13.37
41	14.50	11.40	12.00	12.63	13.97
45	15.70	12.60	13.20	13.83	15.17
49	16.90	13.80	14.40	15.03	16.37
51	17.50	14.40	15.00	15.63	16.97
57	19.30	16.20	16.80	17.43	18.77
61	20.50	17.40	18.00	18.63	19.97
67	22.30	19.20	19.80	20.43	21.77
71	23.50	20.40	21.00	21.63	22.97
73	24.10	21.00	21.60	22.23	23.57



Applicable FPC



FPC/FPC Insert Direction  
Recommended P.C.B Layout



3D Drawing

UNITS  
mm

MAT'L

FINISH

Q'TY

PCS

**QWYCONN** 深圳市启威源电子有限公司  
SHENZHEN QIWEIYUAN ELECTRONIC CO., LTD.

PART NO.(INTENDED USE)  
0312-GX-NPWB

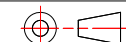
APPD:

CHKD:

DR: HU 2016.09.28

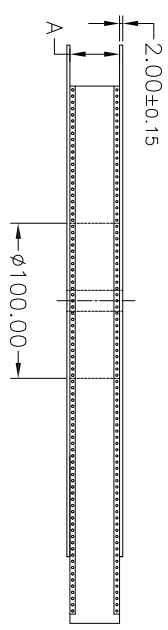
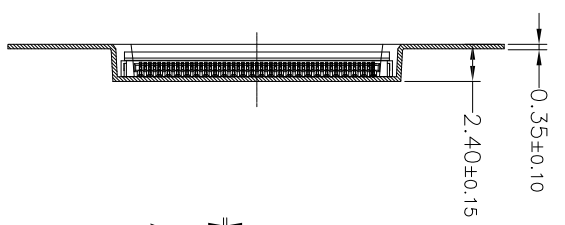
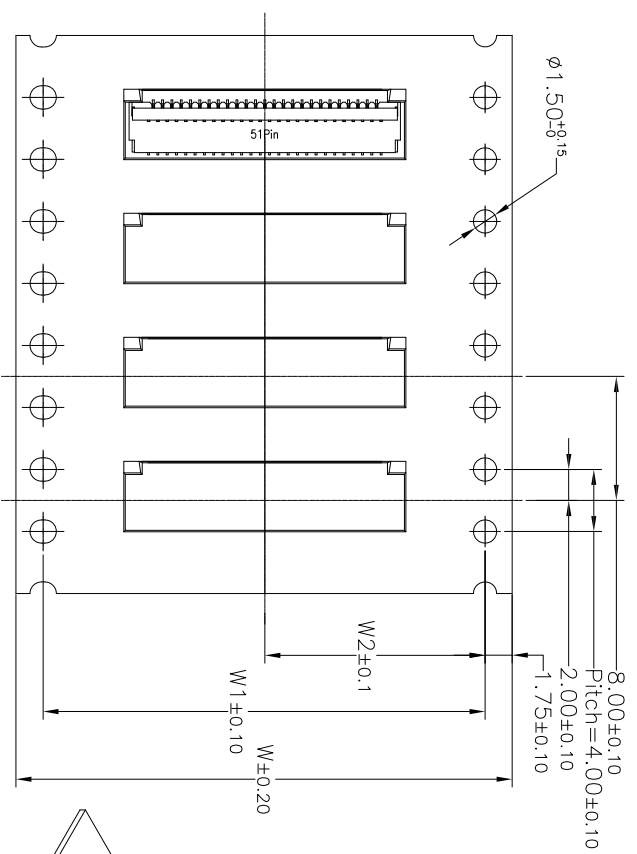
TITLE:  
0.3前插后掀盖H1.2

DWG NO.:  
0312-GX-NPWB

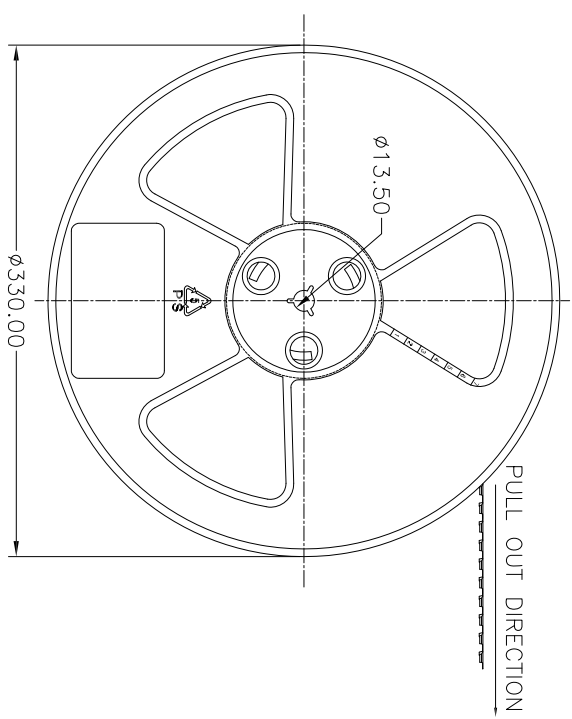
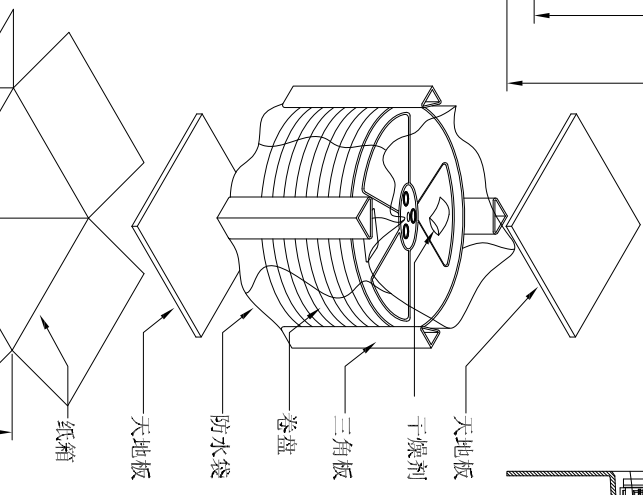


SCALE	SHEET	REV.
1/1	1/1	A

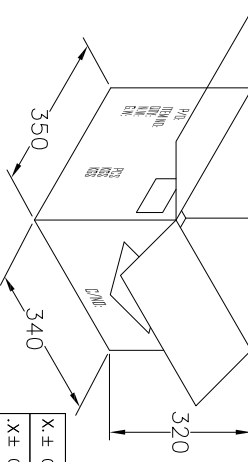
X.± 0.3	X°± 5°
.X± 0.25	.X°± 2°
.XX± 0.20	.XX°± 1°
.XXX± 0.10	.XXX°± 0.5°



- NOTES:
- 1.10 Sprocket hole pitch cumulative tolerance ±0.20.
  - 2.Carrier camber is within 1mm in 100mm.
  - 3.Material: black conductive polystyrene alloy.
  - 4.All dimensions meet EIA-481-3 requirements.
  - 5.For tape width(dimension A)16 and 24mm a pilot hole is provided on one side.  
For tape width(dimension A)32 and 44 and 56mm pilot holes are provided on both sides.



DESCRIPTION	0.3mm Pitch FPC CONNECTOR			
DIM: W	16	24	32	44
DIM: W1			28.4	40.4
DIM: W2	7.5	11.5	14.2	20.2
PCS/REEL	4000			
REEL/BOX	15	10	8	6
BOX (PCS)	60000	40000	32000	24000
CTN SIZE	350*340*320			



UNITS mm	MATL	FINISH	QTY	PCS
X± 0.3	X± 0.25	X²± 5'	X²± 1'	XXX± 0.5'
PART NO.(INTENDED USE) <b>QWYCONN</b> 0312-GX-nlPMB		TITLE: 0.3前插后掀H1.2包装图		
SHENZHEN QIWELIYUAN ELECTRONIC CO., LTD.		DWG NO.: 0312-GX-nlPMB		
APPD:	CHKD:	DR:	SCALE SHEET REV.	
		HU 2016.09.28	1/1	1/1 A