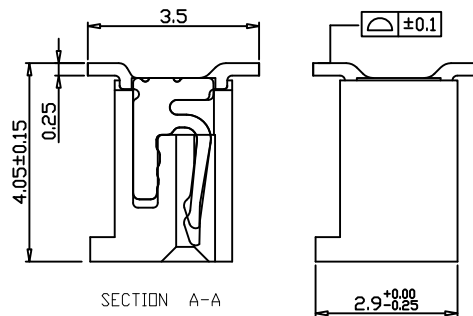
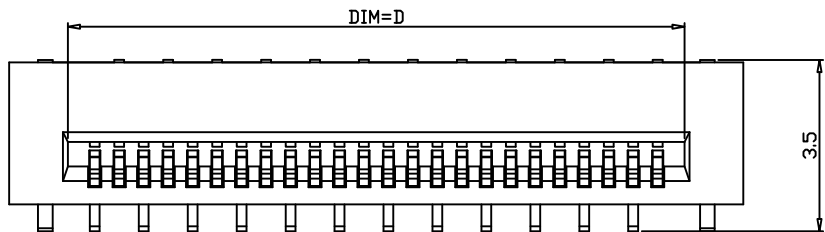
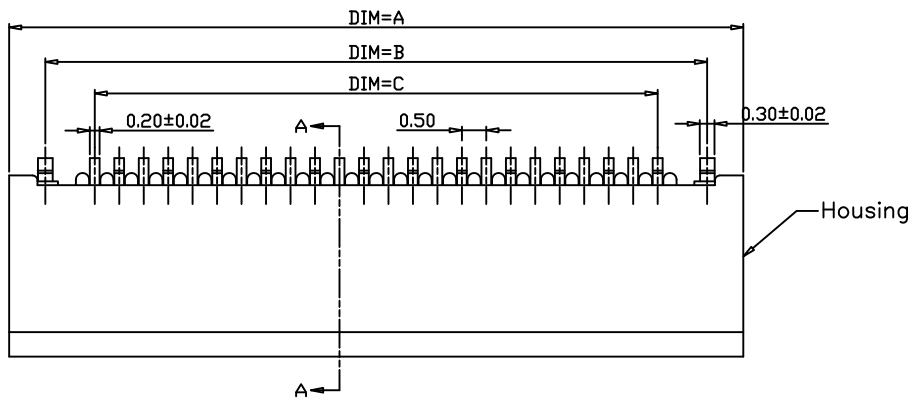
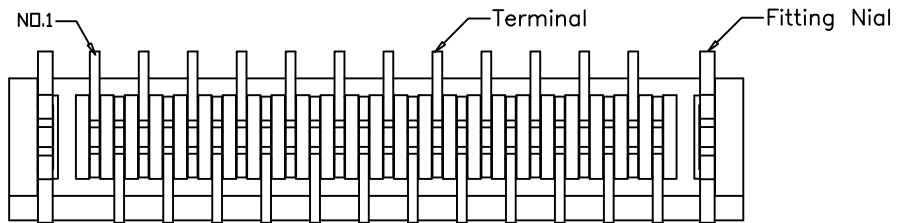


Electrical Characteristics:
 Current rating: 0.4A AC/DC
 Voltage rating: 50V AC/DC
 Temperature range: -25°C~+85°C
 Withstand Voltage: 200V AC/Minute
 Contact Resistance: ≤ 20mΩ
 Insulation resistance: ≥ 500mΩ
 Relative Humidity: 93%+40°C

Material Description:

Terminal: Phosphor Bronze Tin-plated
 Fitting Nial: Phosphor Bronze Tin-plated
 Housing: Thermoplastic(UL94V-0)



PIN数	DIM=A	DIM=B	DIM=C	DIM=D
50P	28.00	26.50	24.50	25.60
49P	27.50	26.00	24.00	25.10
48P	27.00	25.50	23.50	24.60
47P	26.50	25.00	23.00	24.10
46P	26.00	24.50	22.50	23.60
45P	25.50	24.00	22.00	23.10
44P	25.00	23.50	21.50	22.60
43P	24.50	23.00	21.00	22.10
42P	24.00	22.50	20.50	21.60
41P	23.50	22.00	20.00	21.10
40P	23.00	21.50	19.50	20.60
39P	22.50	21.00	19.00	20.10
38P	22.00	20.50	18.50	19.60
37P	21.50	20.00	18.00	19.10
36P	21.00	19.50	17.50	18.60
35P	20.50	19.00	17.00	18.10
34P	20.00	18.50	16.50	17.60
33P	19.50	18.00	16.00	17.10
32P	19.00	17.50	15.50	16.60
31P	18.50	17.00	15.00	16.10
30P	18.00	16.50	14.50	15.60
29P	17.50	16.00	14.00	15.10
28P	17.00	15.50	13.50	14.60
27P	16.50	15.00	13.00	14.10
26P	16.00	14.50	12.50	13.60
25P	15.50	14.00	12.00	13.10
24P	15.00	13.50	11.50	12.60
23P	14.50	13.00	11.00	12.10
22P	14.00	12.50	10.50	11.60
21P	13.50	12.00	10.00	11.10
20P	13.00	11.50	9.50	10.60
19P	12.50	11.00	9.00	10.10
18P	12.00	10.50	8.50	9.60
17P	11.50	10.00	8.00	9.10
16P	11.00	9.50	7.50	8.60
15P	10.50	9.00	7.00	8.10
14P	10.00	8.50	6.50	7.60
13P	9.50	8.00	6.00	7.10
12P	9.00	7.50	5.50	6.60
11P	8.50	7.00	5.00	6.10
10P	8.00	6.50	4.50	5.60
9P	7.50	6.00	4.00	5.10
8P	7.00	5.50	3.50	4.60
7P	6.50	5.00	3.00	4.10
6P	6.00	4.50	2.50	3.60

UNITS mm
 MAT'L
QWYCONN® 深圳市启崴源电子有限公司
 SHENZHEN QIWEIYUAN ELECTRONIC CO.,LTD.

X.± 0.3	X° ± 5°	FINISH	PART NO.(INTENDED USE)	TITLE:
			0.5-E-nPB	0.5无锁立贴正脚位
.XX ± 0.25	.XX° ± 2°	Q'TY	APPD:	DWG NO.:
.XX ± 0.20	.XX° ± 1°		CHKD:	0.5-E-nPB
.XXX ± 0.10	.XXX° ± 0.5°	PCS	DR: HU 2016.09.28	SCALE
				1/1
				SHEET
				1/1
				REV.
				A

